

Connectors and filters

Voltage regulators and amplifiers

Top	
System: DAMIC-M Frontend Board (based on ADA4817), MK2	
Board: FE_ADA4817_MK2	
Created: 20-FEB-2024, Daniel Florin	Revision: 1.1
Modified: 17-OCT-2024, Daniel Florin	Sheet: 1 of 3
Physik Institut Universitaet Zuerich Winterthurerstrasse 190 8057 Zuerich	

TO SAMTEC CABLE

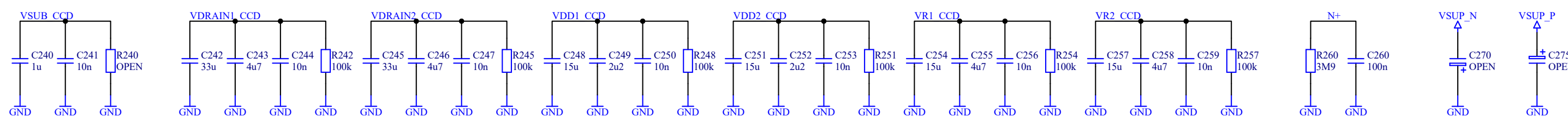
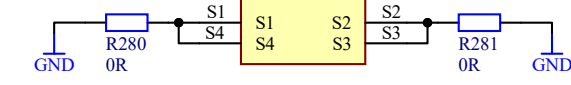
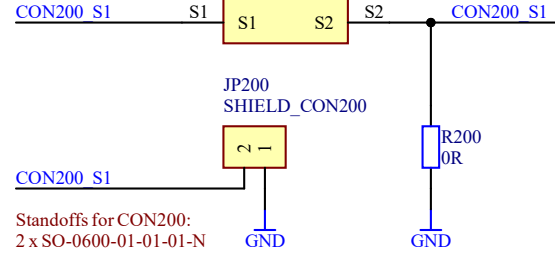
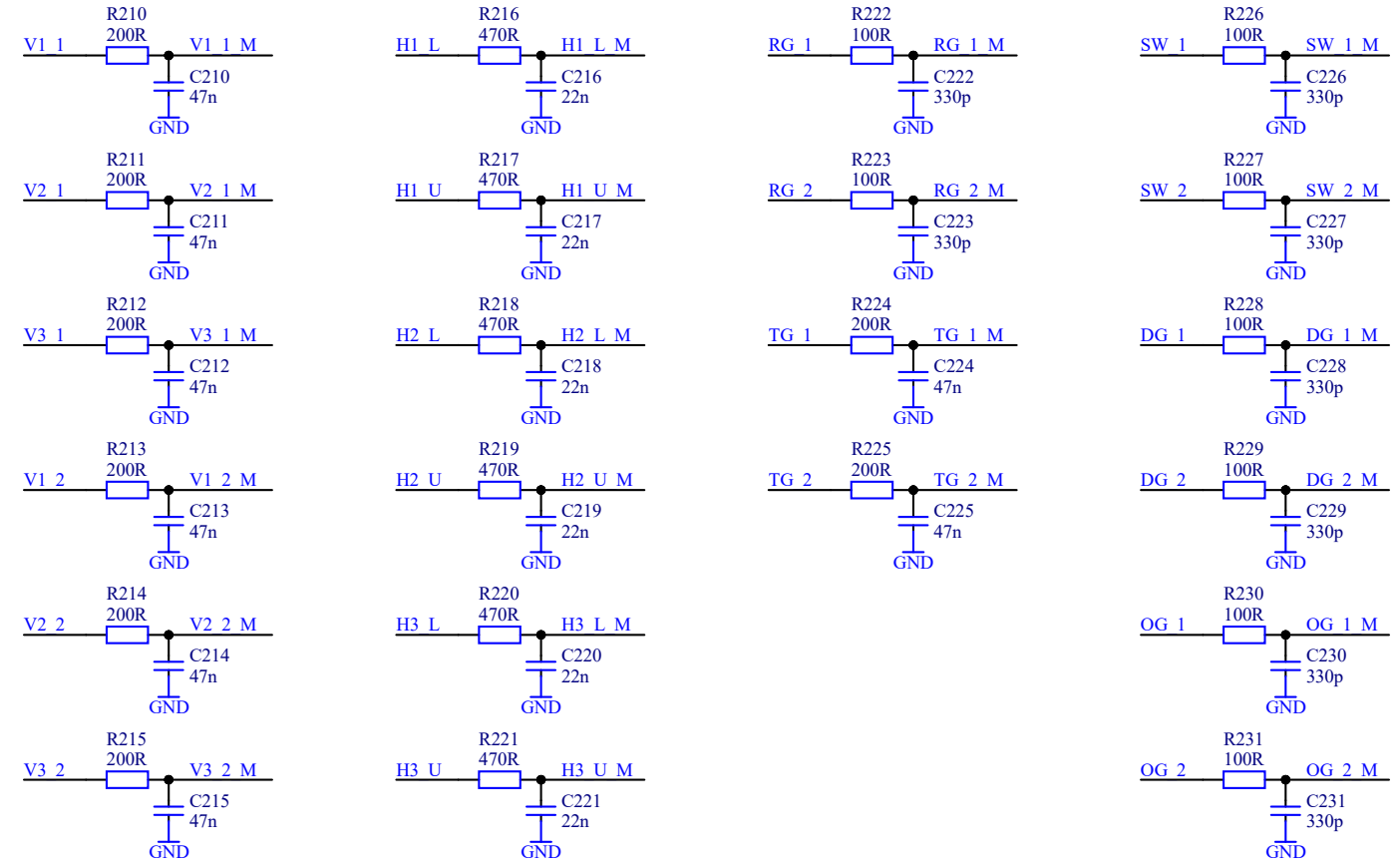
TO VACUUM

CON200
ERF8-030-05.0-L-DV-L-K-TR
Female

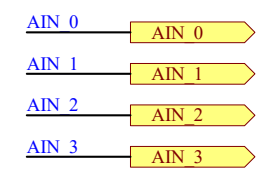
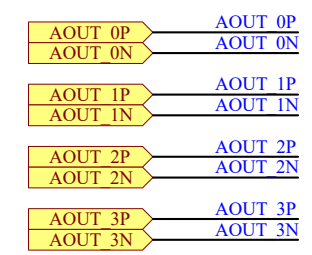
CON240
ERM8-030-01-L-D-EM2-L-TR
Male

GND	01	01	02	GND
VSUP_N	03	03	04	AOUT_0P
VDD2_CCD	05	05	06	AOUT_0N
VDD1_CCD	07	07	08	AOUT_1P
VDRAIN2_CCD	09	09	10	AOUT_1N
VDRAIN1_CCD	11	11	12	AOUT_2P
VR2_CCD	13	13	14	AOUT_2N
VR1_CCD	15	15	16	AOUT_3P
VSUP_P	17	15	16	AOUT_3N
GND	19	17	18	GND
GND	21	19	20	GND
TG_2	23	23	24	TG_1
V3_2	25	23	24	V3_1
V2_2	27	25	26	V2_1
V1_2	29	27	28	V1_1
GND	31	29	30	GND
GND	33	31	32	GND
H3_L	35	33	34	H3_U
H2_L	37	35	36	H2_U
H1_L	39	37	38	H1_U
DG_2	41	39	40	DG_1
RG_2	43	41	42	RG_1
GND	45	43	44	GND
SW_2	47	45	46	SW_1
OG_2	49	47	48	OG_1
CLAMPN	51	49	50	RESETP
CLAMPN	53	51	52	RESETP
GAIN_1	55	53	54	GND
GAIN_0	57	55	56	GND
GND	59	57	58	GND
GND	59	59	60	VSUB_CCD

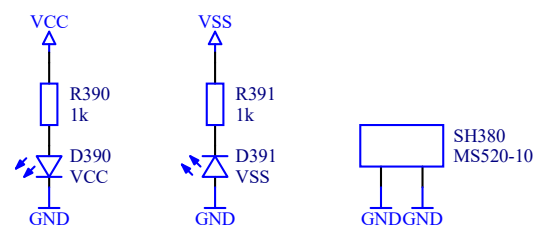
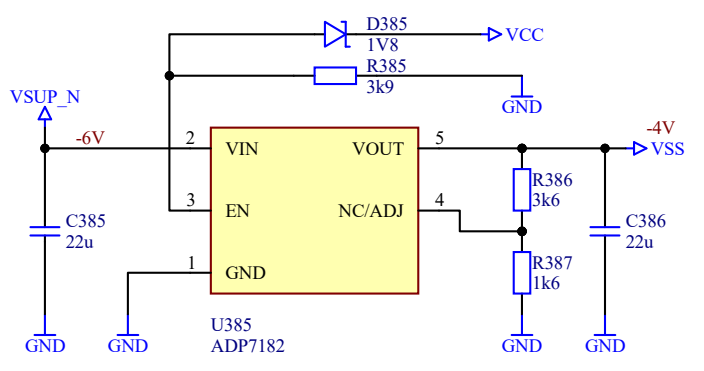
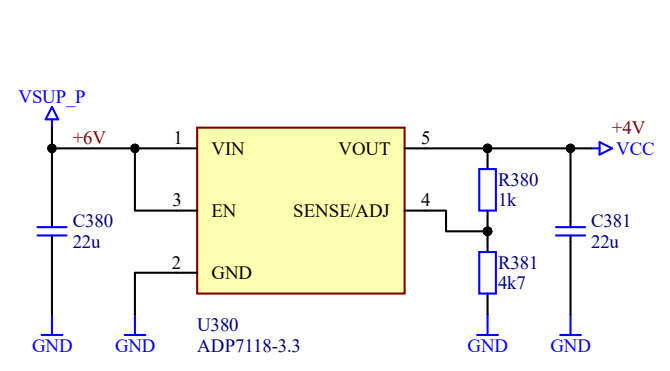
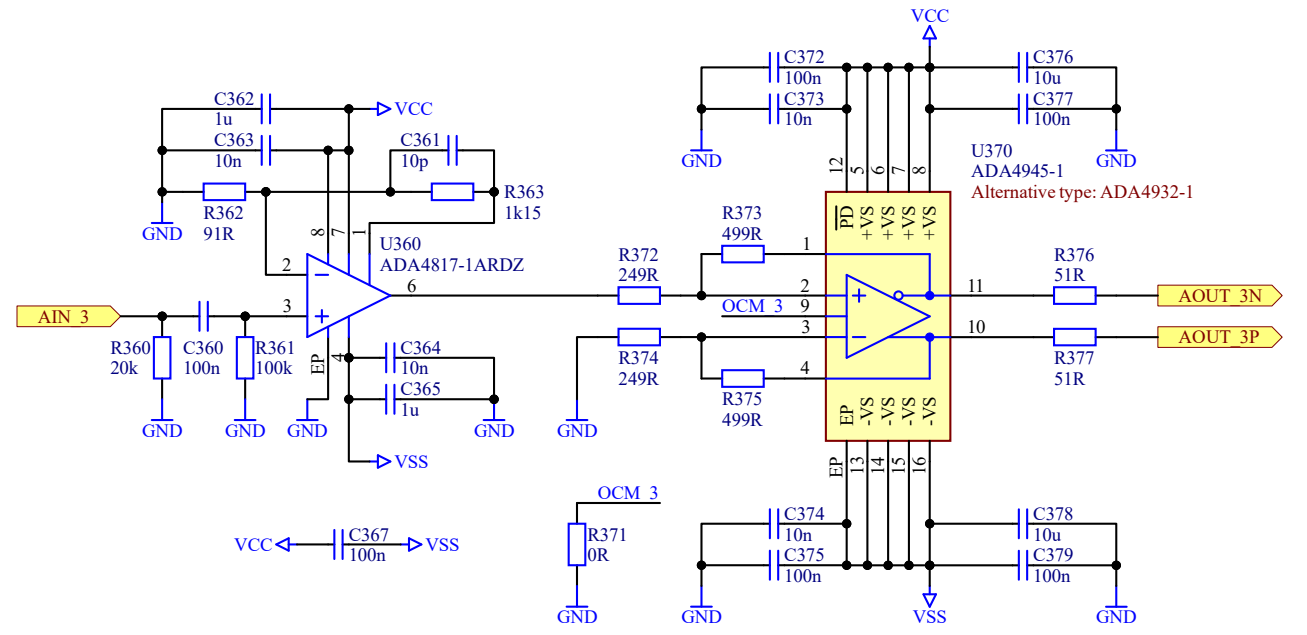
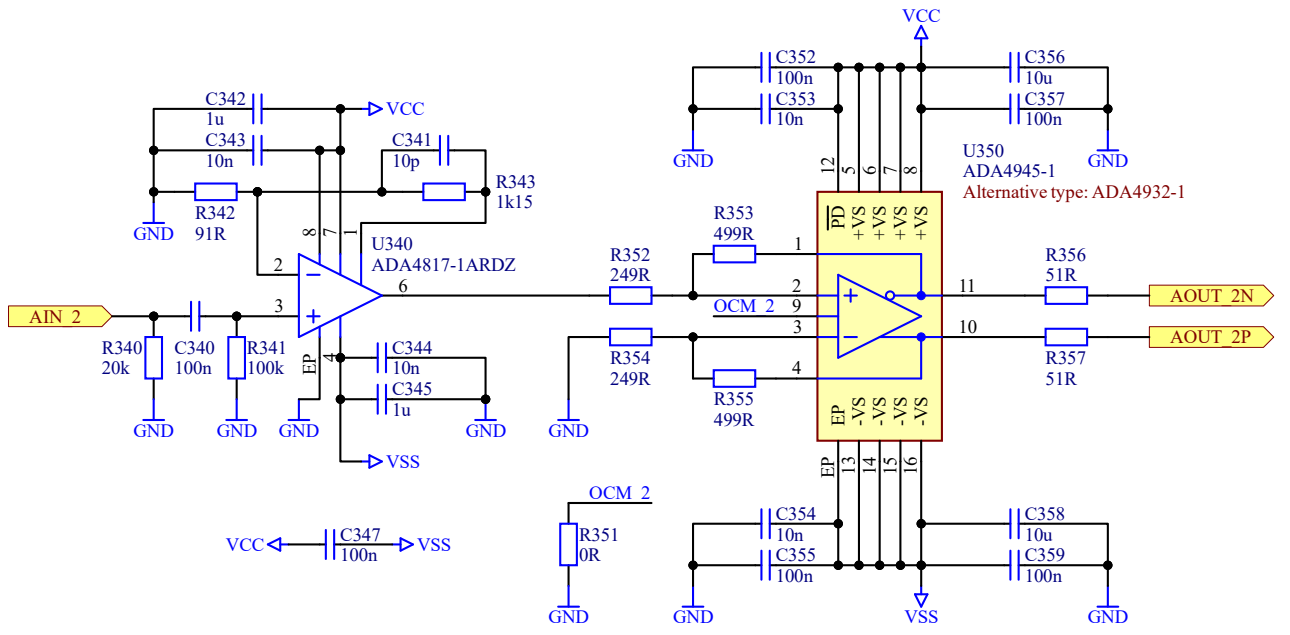
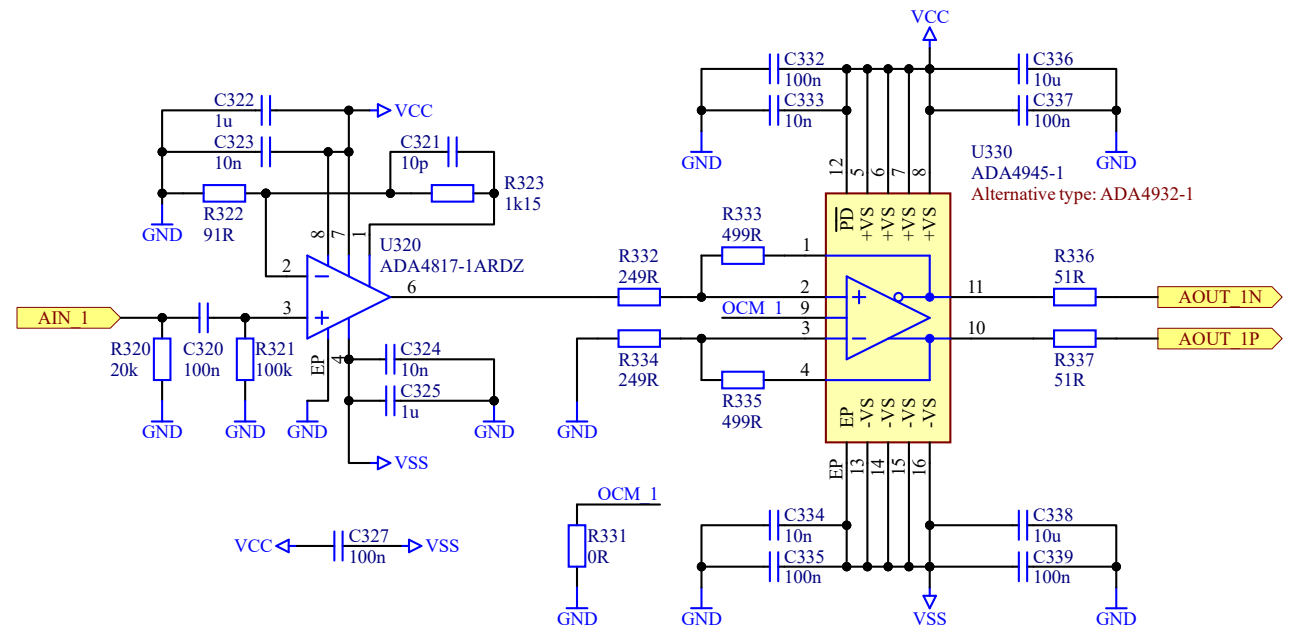
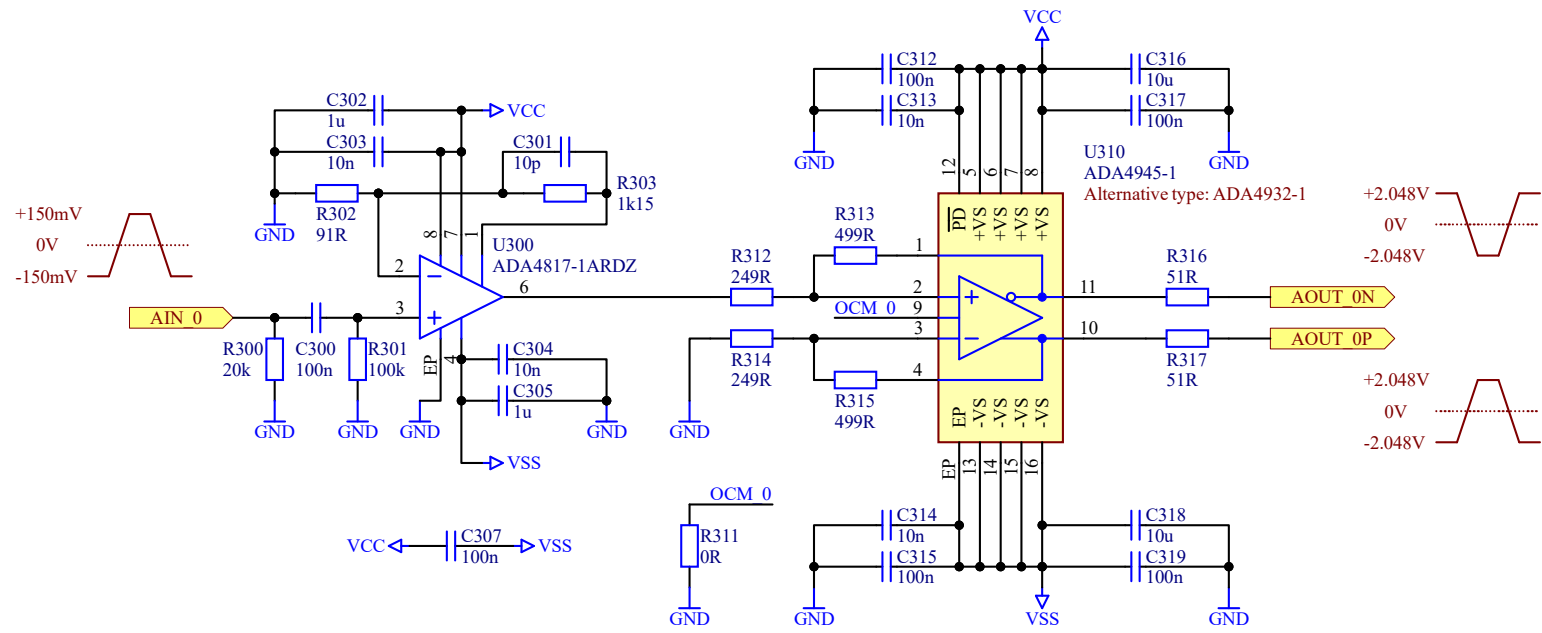
GND	01	01	02	GND
GND	03	03	04	AIN_0
VDD2_CCD	05	05	06	GND
VDD1_CCD	07	07	08	AIN_1
VDRAIN2_CCD	09	09	10	GND
VDRAIN1_CCD	11	11	12	AIN_2
VR2_CCD	13	13	14	GND
VR1_CCD	15	13	14	AIN_3
GND	17	15	16	GND
GND	19	17	18	GND
GND	21	19	20	GND
TG_2_M	23	23	24	TG_1_M
V3_2_M	25	23	24	V3_1_M
V2_2_M	27	25	26	V2_1_M
V1_2_M	29	27	28	V1_1_M
GND	31	29	30	GND
GND	33	31	32	GND
H3_L_M	35	33	34	H3_U_M
H2_L_M	37	35	36	H2_U_M
H1_L_M	39	37	38	H1_U_M
DG_2_M	41	39	40	DG_1_M
RG_2_M	43	41	42	RG_1_M
GND	45	43	44	GND
SW_2_M	47	45	46	SW_1_M
OG_2_M	49	47	48	OG_1_M
GND	51	49	50	GND
N+	53	51	52	GND
N+	55	53	54	GND
GND	57	55	56	GND
GND	59	57	58	GND
GND	59	59	60	VSUB_CCD



C270, C275:
Optional 2 x 220u / 10V,
Panasonic EEE-FN1A221UP



Connectors and Filters	
System: DAMIC-M Frontend Board (based on ADA4817), MK2	
Board: FE_ADA4817_MK2	
Created: 20-FEB-2024, Daniel Florin	Revision: 1.1
Modified: 17-OCT-2024, Daniel Florin	Sheet: 2 of 3
Physik Institut Universitaet Zuerich Winterthurerstrasse 190 8057 Zuerich	



Supply current: ~20mA + I_LOAD per channel

Voltage Regulators and Amplifiers	
System: DAMIC-M Frontend Board (based on ADA4817), MK2	
Board: FE_ADA4817_MK2	
Created: 20-FEB-2024, Daniel Florin	Revision: 1.1
Modified: 17-OCT-2024, Daniel Florin	Sheet: 3 of 3
Physik Institut Universitaet Zuerich Winterthurerstrasse 190 8057 Zuerich	