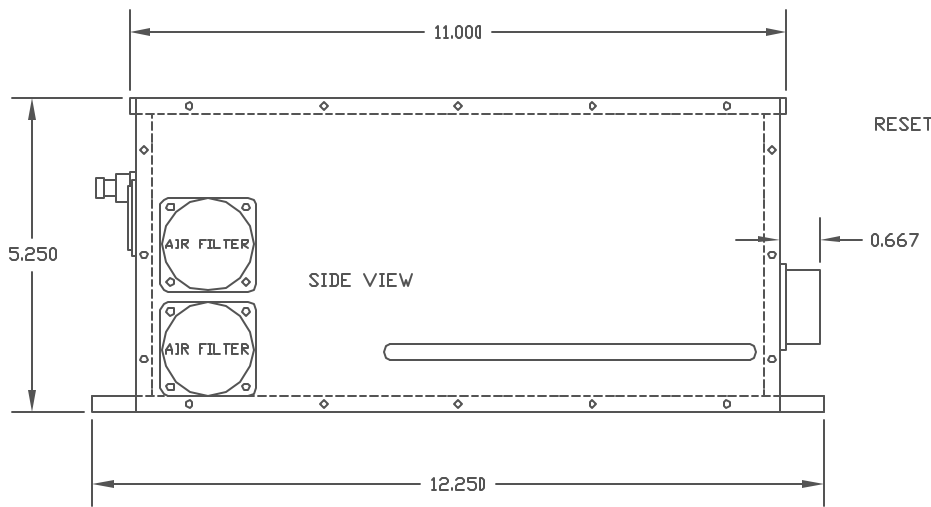
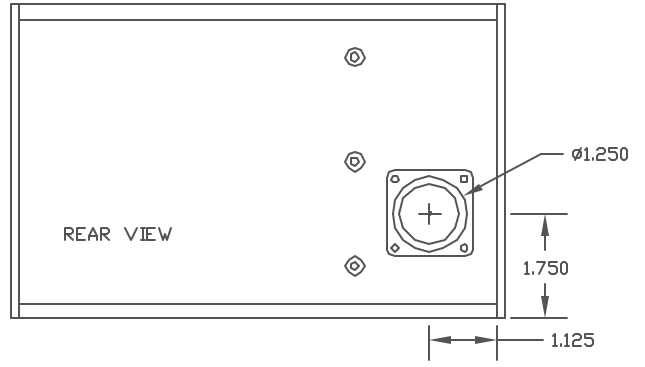
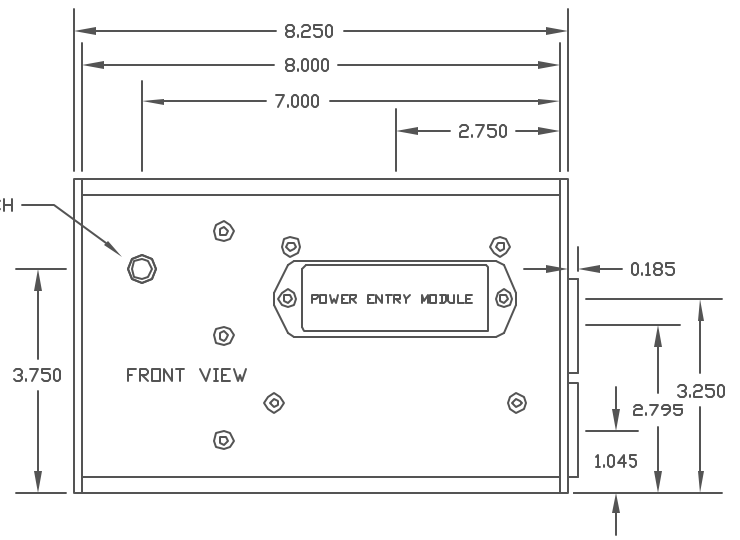


CONNECTOR BURNDY #G2B20-30-SME

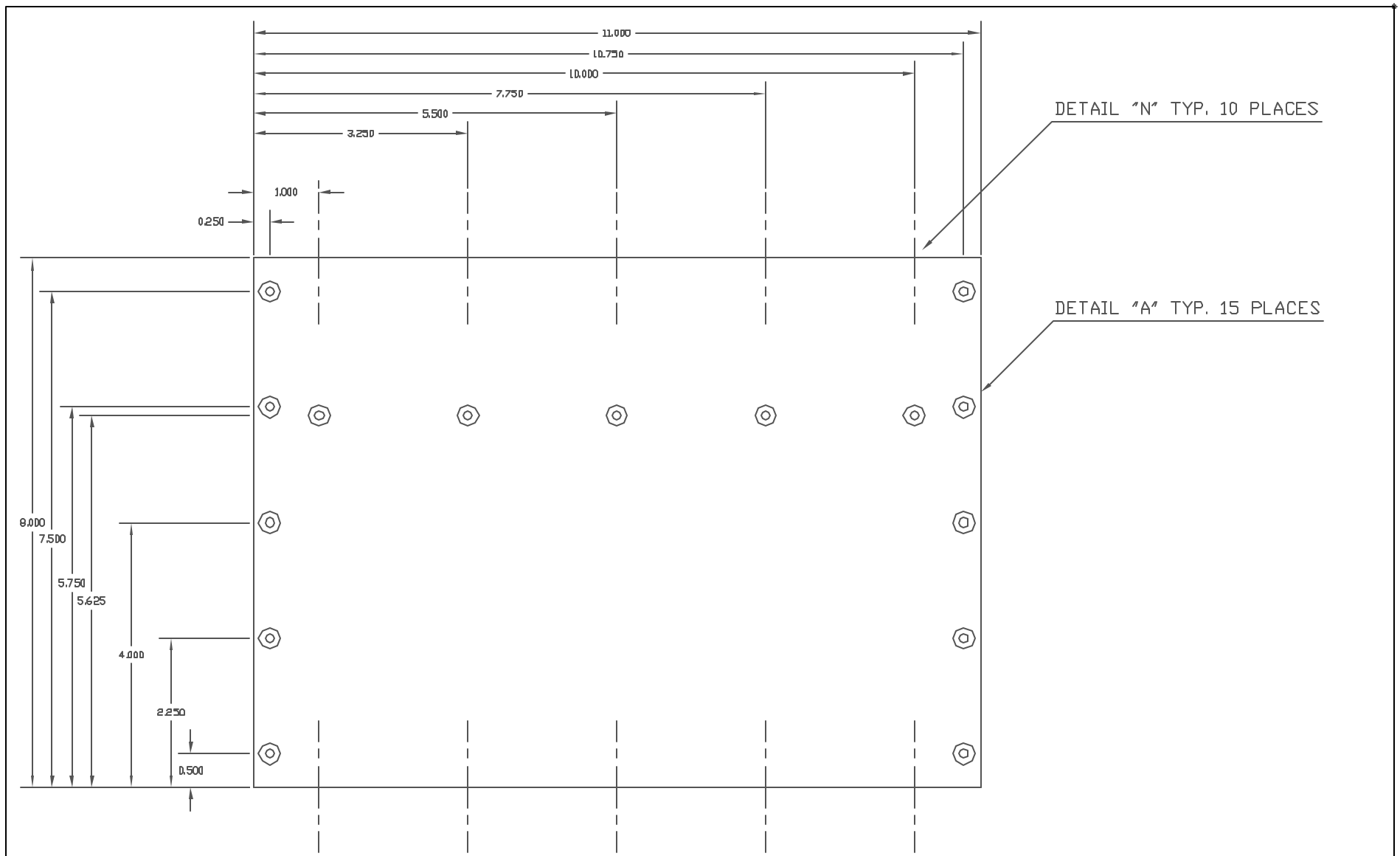


RESET SWITCH



LARGE SWITCHING POWER SUPPLY
OUTLINE DRAWING

UNLESS OTHERWISE SPECIFIED: DIMENSIONS ARE IN INCHES DECIMALS ARE TO BE READ AS XX ± .005 ANGULAR ± .5° XX ± .010 XX ± .015 XX ± .020		ASTRONOMICAL RESEARCH CAMERAS, INC.			
DRAWN	F. BEALE	DATE	ARC-80 OUTLINE DRAWING		
CHECKED		SIZE	FORM NO.	DWG NO.	REV
DESIGN	F. BEALE	B		ARC-80-410	1A
		SCALE-NONE	12/12/02	SHEET	OF



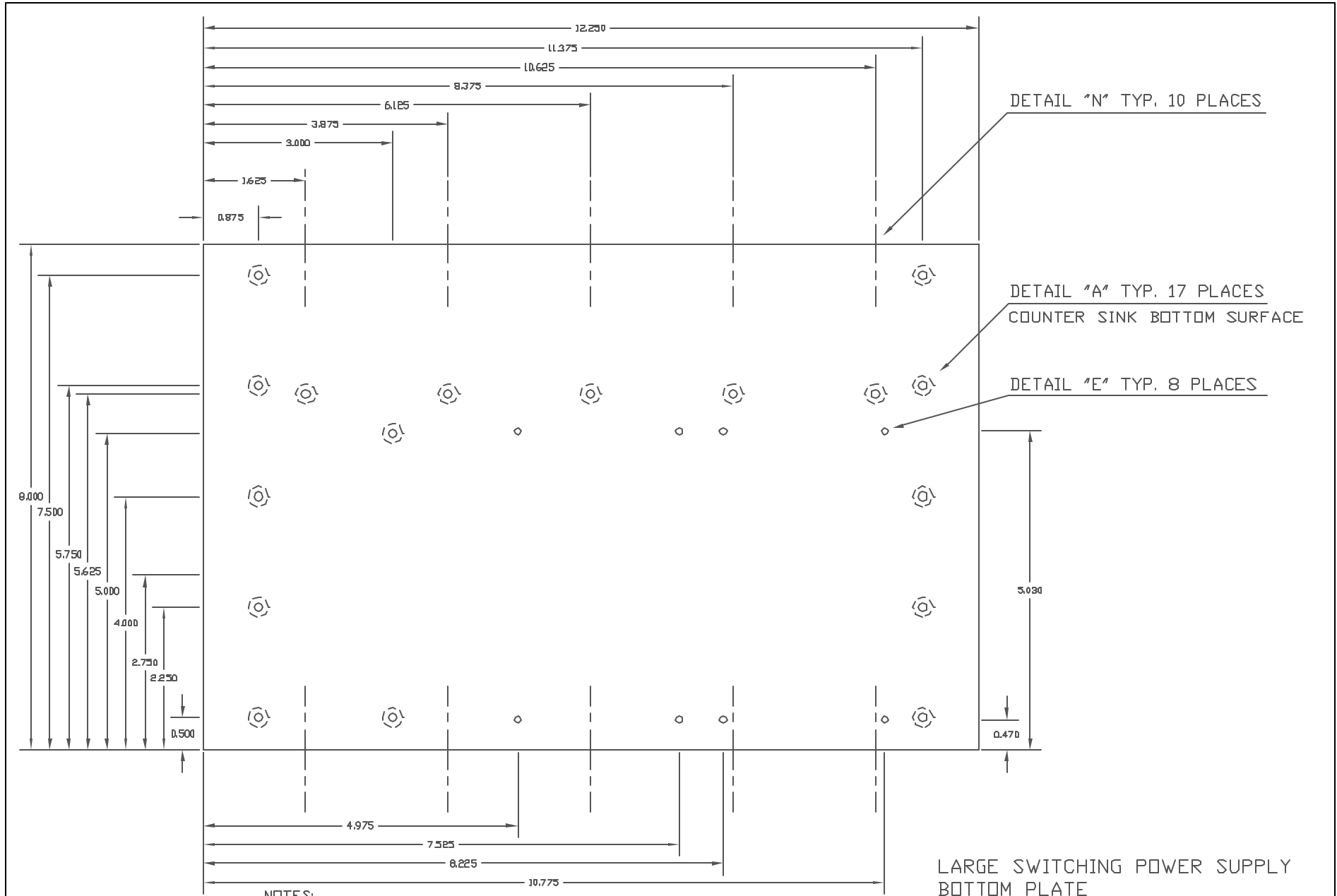
DETAIL "N" TYP. 10 PLACES

DETAIL "A" TYP. 15 PLACES

- NOTES:
- 1) ONE REQUIRED FOR EACH POWER SUPPLY
 - 2) MATERIAL THICKNESS IS .250"
 - 3) PANEL VIEW IS FROM THE TOP

LARGE SWITCHING POWER SUPPLY
TOP PLATE

UNLESS OTHERWISE SPECIFIED: DIMENSIONS ARE IN INCHES DECIMALS ARE TO BE CLEARANCE XX ± .05 ANGULAR ± .5° XX ± .010 XX REF. SCALE DRAWING		ASTRONOMICAL RESEARCH CAMERAS, INC.		
DRAWN F. BEALE	DATE	TOP PLATE		
CHECKED	SIZE B	FORM NO.	REV. NO. ARC-80-401	REV. 1A
DESIGN F. BEALE	SCALE-NONE	DATE 12/15/02	SHEET	OF

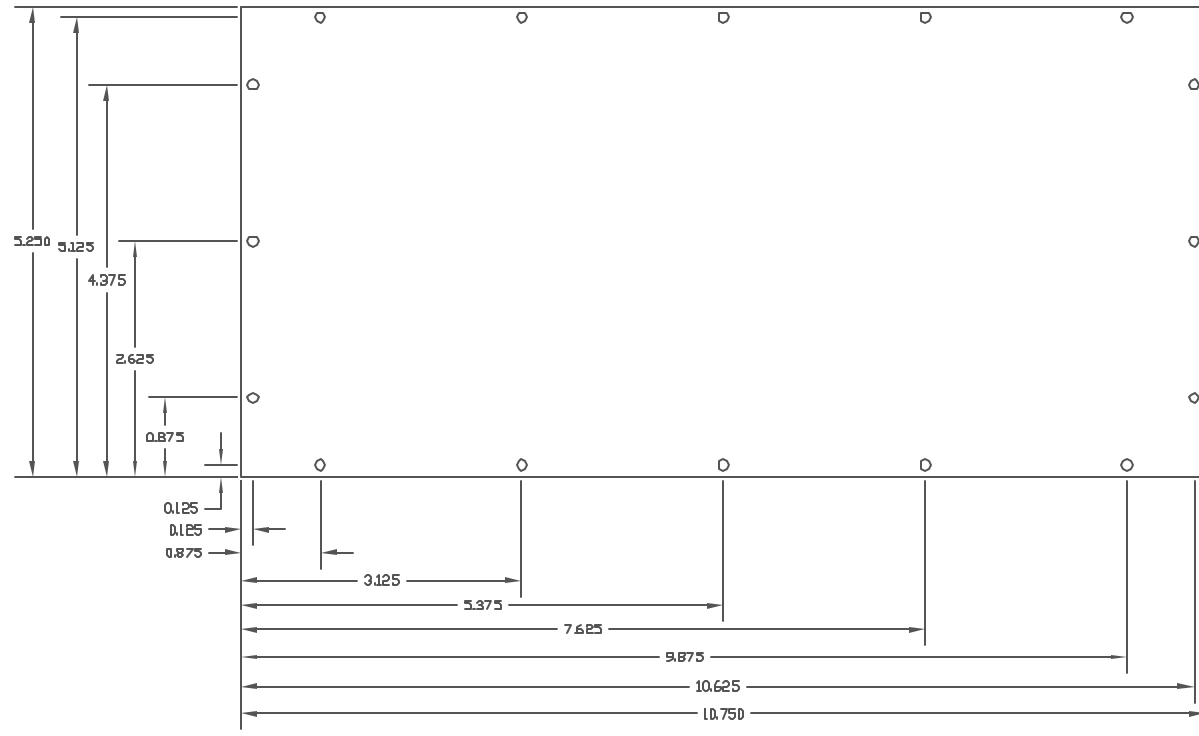


- NOTES:
- 1) ONE REQUIRED FOR EACH POWER SUPPLY
 - 2) MATERIAL THICKNESS IS .250"
 - 3) PANEL VIEW IS FROM THE TOP

LARGE SWITCHING POWER SUPPLY
BOTTOM PLATE

UNLESS OTHERWISE SPECIFIED: DIMENSIONS ARE IN INCHES TOLERANCES DECIMALS ANGULAR XX ± .05 ± .15 XX ± .010 ± .015 XX ± .010 ± .015		ASTRONOMICAL RESEARCH CAMERAS, INC.	
DRAWN F. BEALE	DATE	BOTTOM PLATE	
CHECKED B	SIZE B	FORM NO.	REV 1A
DESIGN F. BEALE	SCALE-NONE	12/15/02	SHEET OF

DETAIL "L" TYP 16 PLACES



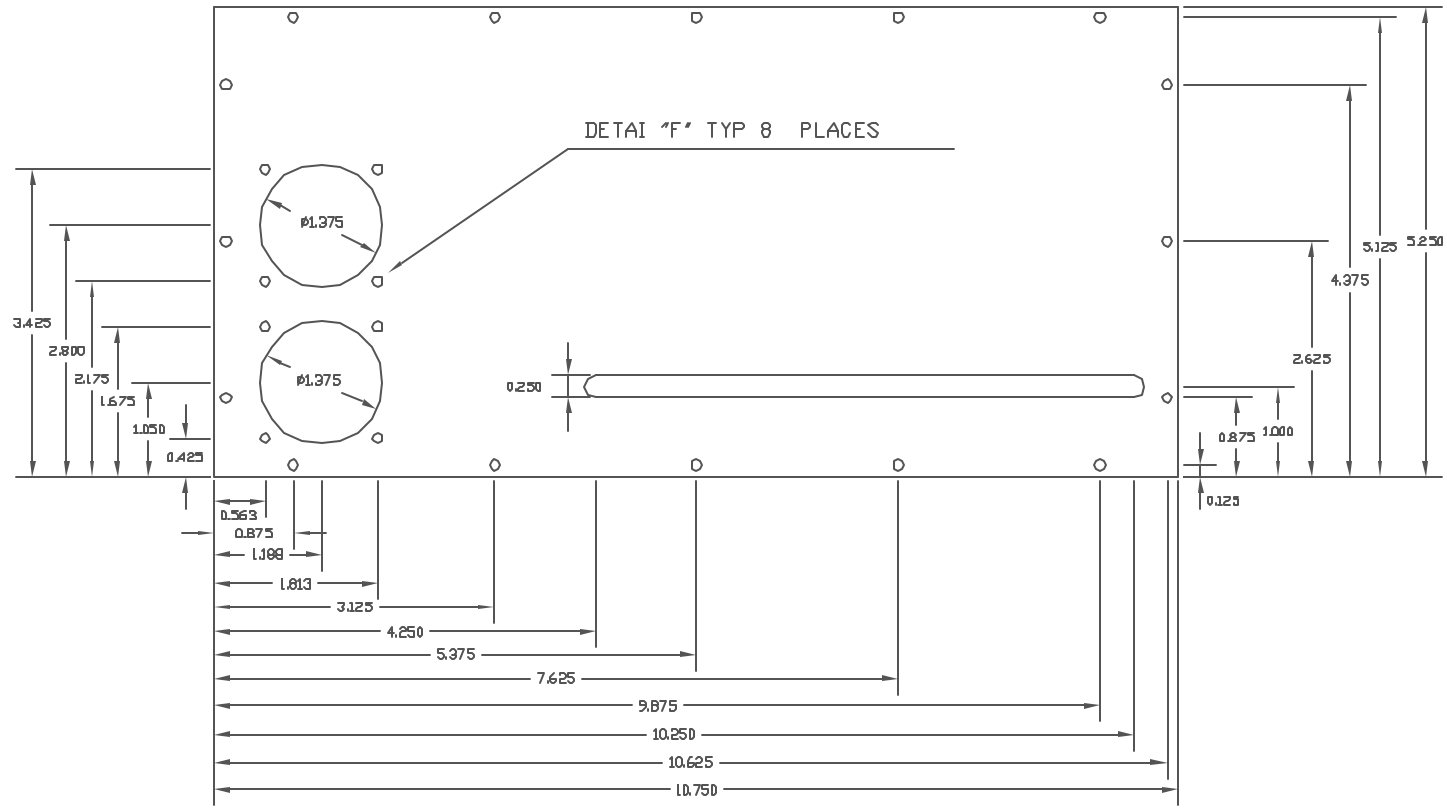
NOTES:

- 1) ONE PANEL REQUIRED FOR EACH POWER SUPPLY
- 2) MATERIAL THICKNESS IS .125"

LARGE SWITCHING POWER SUPPLY
CLOSED SIDE PANEL

UNLESS OTHERWISE SPECIFIED: DIMENSIONS ARE IN INCHES DECIMALS XX ± .05 XX ± .010 XX REF. SCALE DRAWING		ASTRONOMICAL RESEARCH CAMERAS, INC.	
DRAWN F. BEALE	DATE	CLOSED SIDE PANEL	
CHECKED	SIZE B	FORM NO.	REV. NO. 1A
DESIGN F. BEALE	SCALE-NONE	12/15/02	SHEET OF

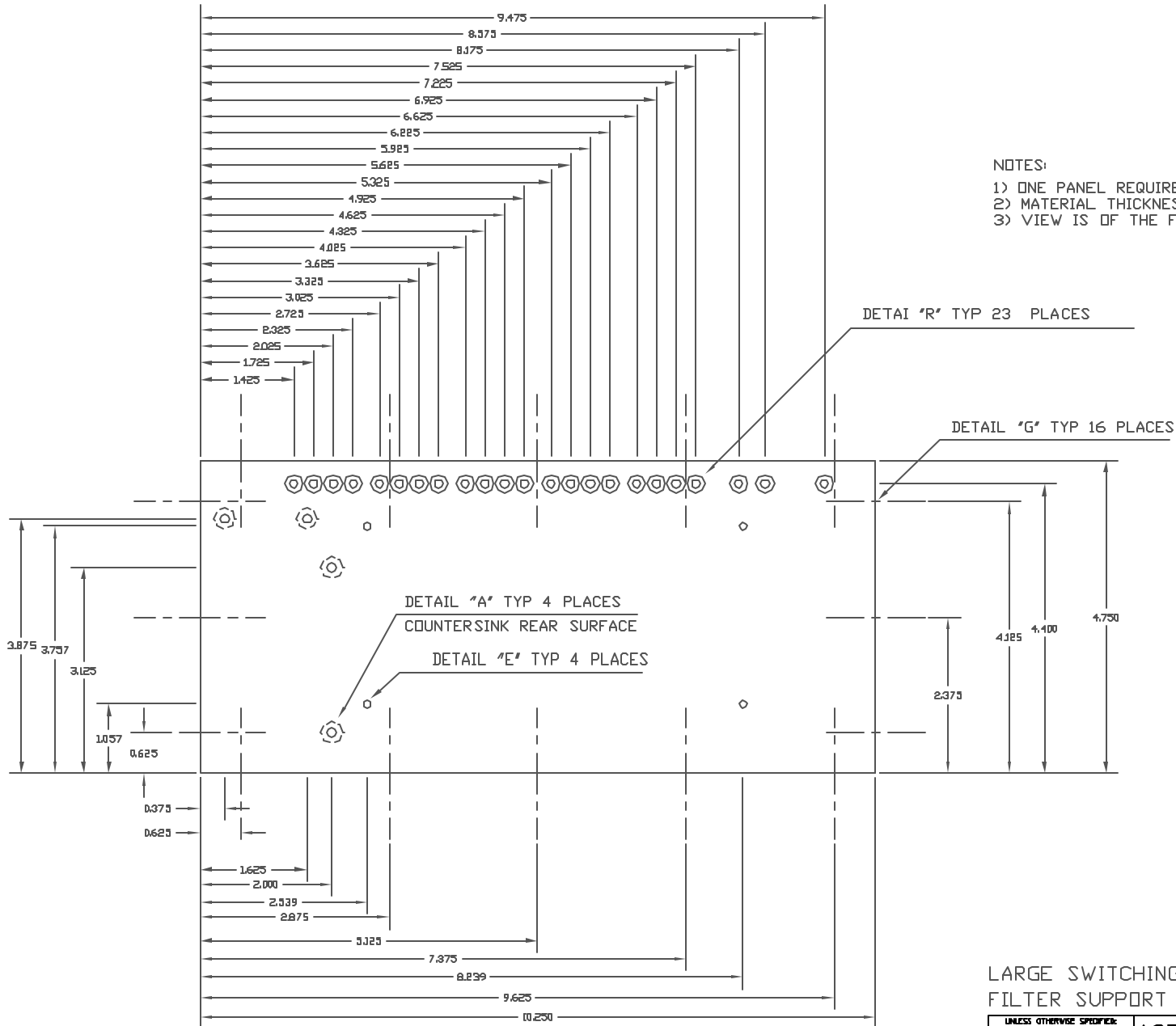
DETAIL 'L' TYP 16 PLACES



- NOTES:
- 1) ONE PANEL REQUIRED FOR EACH POWER SUPPLY
 - 2) MATERIAL THICKNESS IS .125"

LARGE SWITCHING POWER SUPPLY
OPEN FILTER SIDE PANEL

UNLESS OTHERWISE SPECIFIED: DIMENSIONS ARE IN INCHES DECIMALS ARE TO BE READ AS XX.XX ± .005 XX.XXX ± .001 XX.XXX ± .0005		ASTRONOMICAL RESEARCH CAMERAS, INC.	
DRAWN F. BEALE	DATE	OPEN FILTER SIDE PANEL	
CHECKED	SIZE B	FORM NO.	REV 1A
DESIGN F. BEALE	SCALE-NONE	ARC-80-407	12/12/02
		SHEET	OF

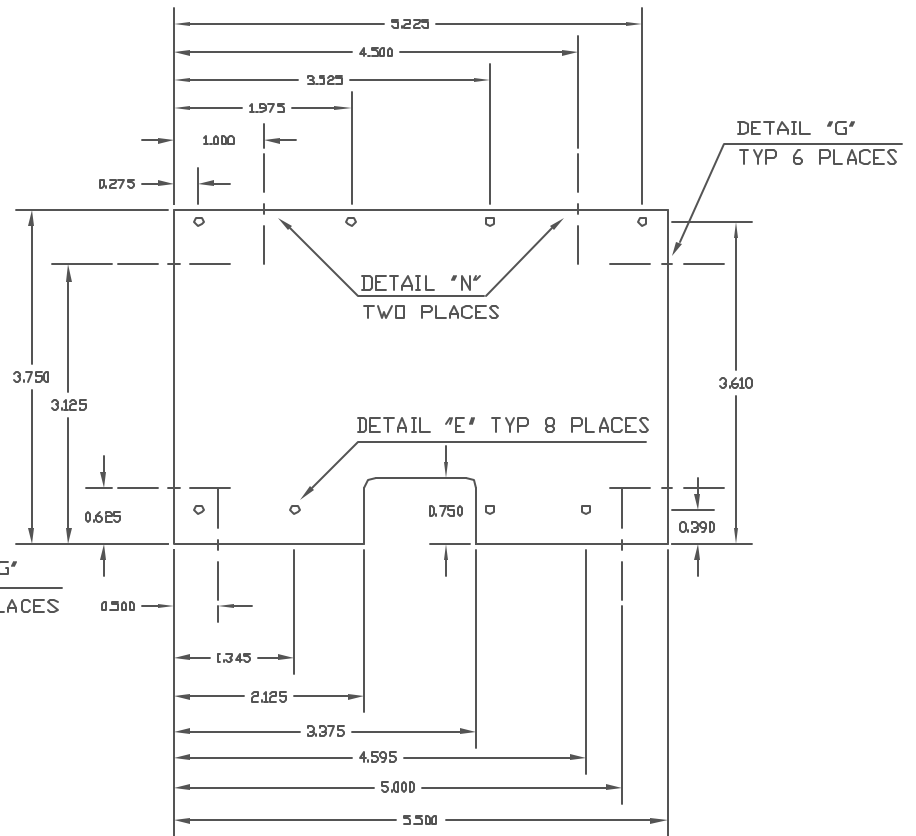
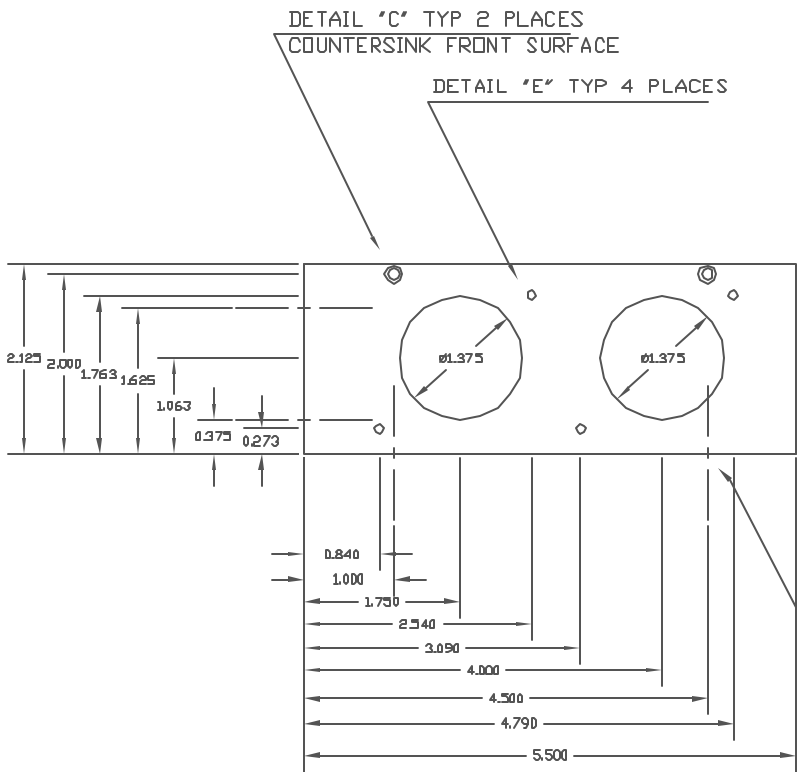


NOTES:

- 1) ONE PANEL REQUIRED FOR EACH POWER SUPPLY
- 2) MATERIAL THICKNESS IS .250"
- 3) VIEW IS OF THE FRONT SURFACE

LARGE SWITCHING POWER SUPPLY
FILTER SUPPORT

UNLESS OTHERWISE SPECIFIED: DIMENSIONS ARE IN INCHES DECIMALS UNLESS OTHERWISE SPECIFIED XX ± .05 ANGULAR ± .5° XX ± .010 XX REF. SCALE DRAWING		ASTRONOMICAL RESEARCH CAMERAS, INC.			
DRAWN F. BEALE	DATE	FILTER SUPPORT			
CHECKED		SIZE B	FORM NO.	DWG NO. ARC-80-406	REV. 1B
DESIGN F. BEALE		SCALE-NONE	2/5/03	SHEET	OF

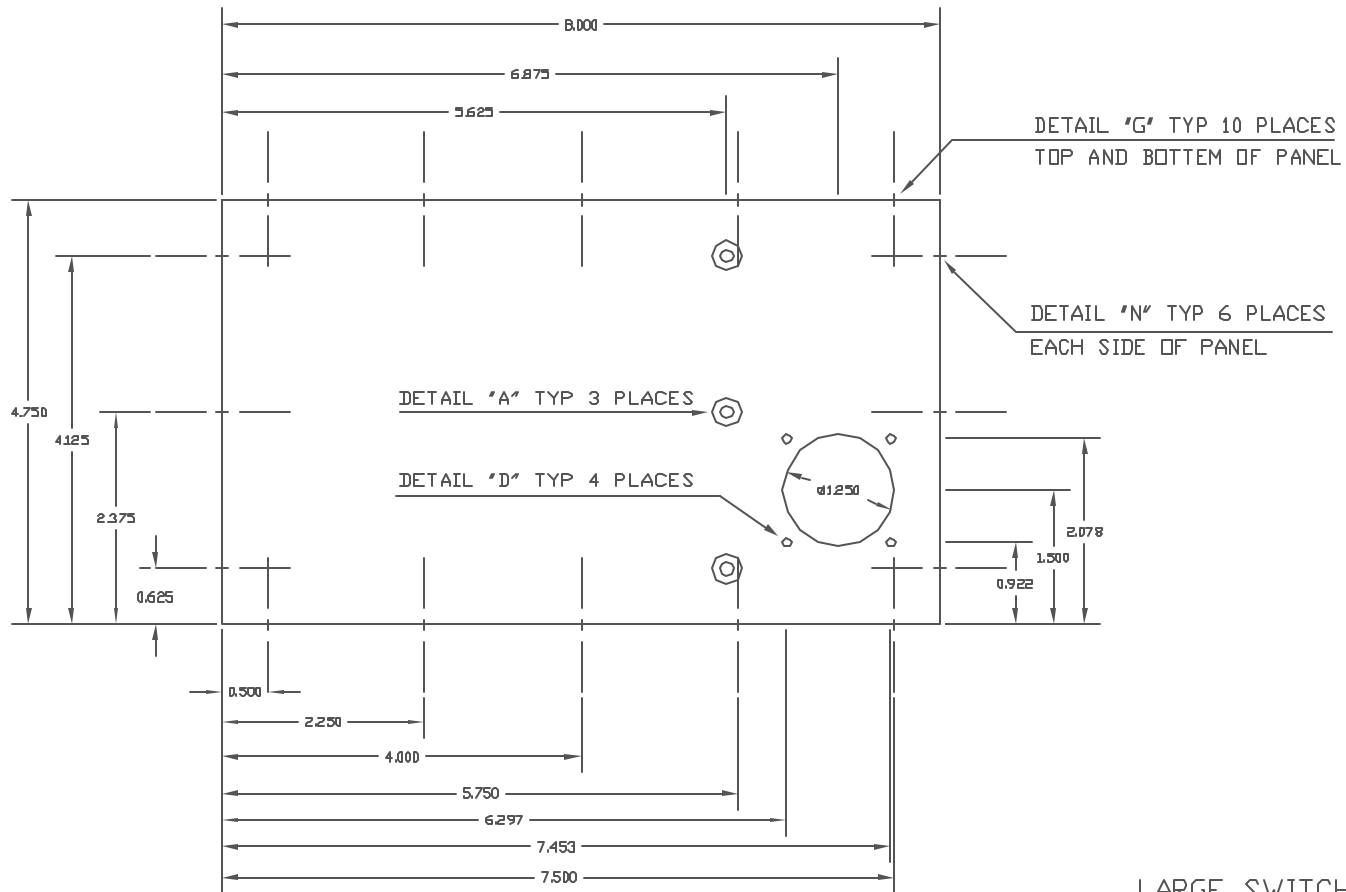


NOTES:

- 1) MATERIAL THICKNESS IS .250"
- 2) ONE EACH REQUIRED FOR EACH POWER SUPPLY
- 3) VIEW IS OF FRONT SURFACE

LARGE SWITCHING POWER SUPPLY
FAN SUPPORT

UNLESS OTHERWISE SPECIFIED: DIMENSIONS ARE IN INCHES DECIMALS UNLESS OTHERWISE SPECIFIED XXX ± .005 ANGULAR ± .5° XXX ± .010 XXX REF. SCALE DRAWING		ASTRONOMICAL RESEARCH CAMERAS, INC.		
DRAWN	F. BEALE	DATE	FAN SUPPORT	
CHECKED		SIZE	F3500 NDL	IND. NO.
DESIGN	F. BEALE	SCALE-NONE	12/15/02	SHEET 1A OF 1A

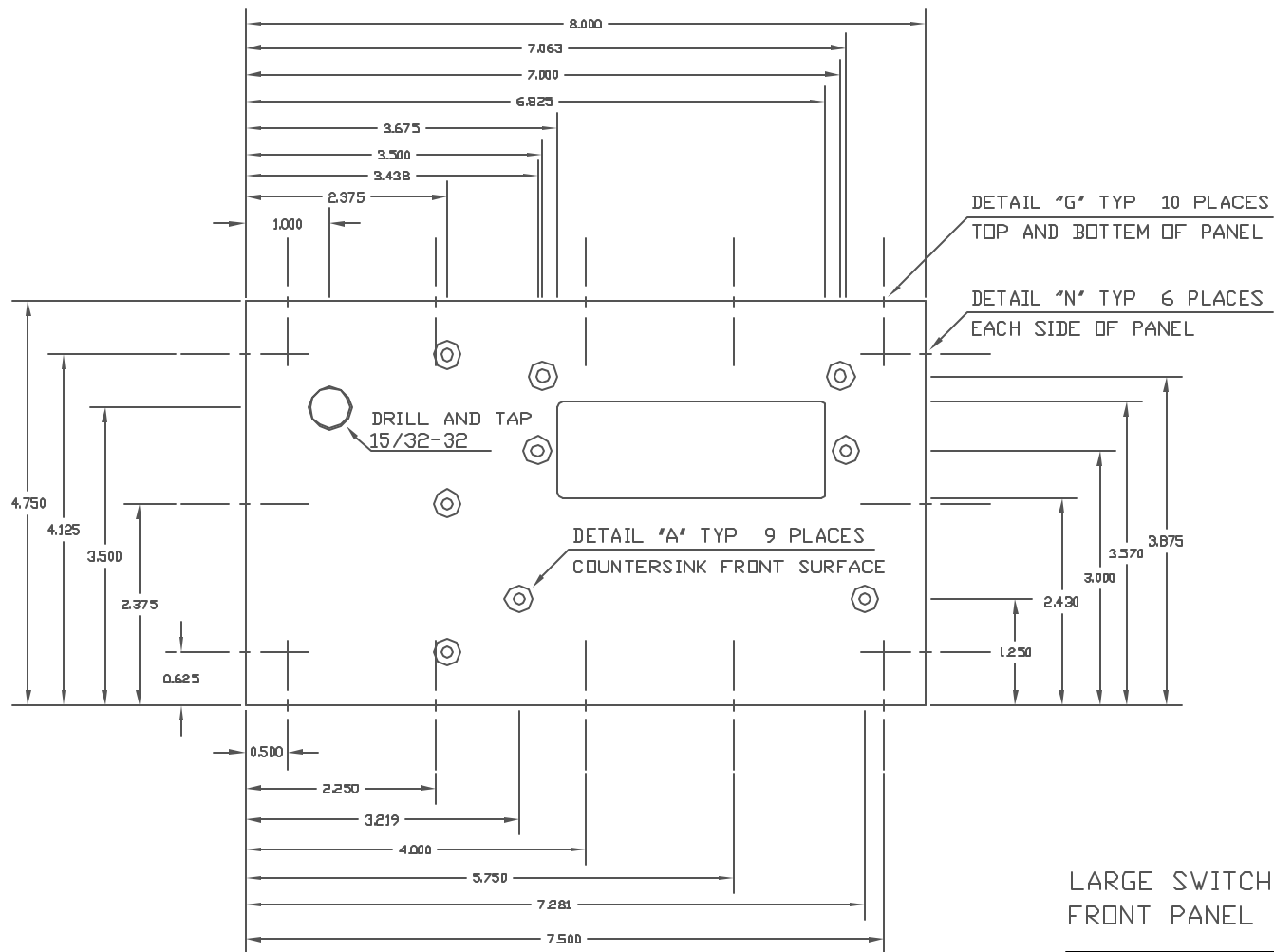


NOTES:

- 1) MATERIAL THICKNESS IS .250"
- 2) ONE REQUIRED FOR EACH POWER SUPPLY

LARGE SWITCHING POWER SUPPLY
REAR PANEL

UNLESS OTHERWISE SPECIFIED: DIMENSIONS ARE IN INCHES DECIMALS XX ± .05 XX ± .010 XX REF. SCALE DRAWING		ASTRONOMICAL RESEARCH CAMERAS, INC.	
DRAWN F. BEALE	DATE	REAR PANEL	
CHECKED	SIZE B	FORM NO.	REV. 1A
DESIGN F. BEALE	SCALE-NONE	12/15/02	SHEET OF



LARGE SWITCHING POWER SUPPLY
FRONT PANEL

- NOTES:
 1) ONE PANEL REQUIRED FOR EACH POWER SUPPLY
 2) MATERIAL THICKNESS IS .250"

UNLESS OTHERWISE SPECIFIED: DIMENSIONS ARE IN INCHES DECIMALS ARE TO BE TOLERANCES XX ± .005 ANGULAR ± .5° XX ± .010 XX REF. SCALE DRAWING				ASTRONOMICAL RESEARCH CAMERAS, INC.	
DRAWN	F. BEALE	DATE	FRONT PANEL		
CHECKED		SIZE	FORM NO.	REV. NO.	REV.
DESIGN	F. BEALE	SCALE-NONE	12/15/02	ARC-80-403	1A
			SHEET	OF	