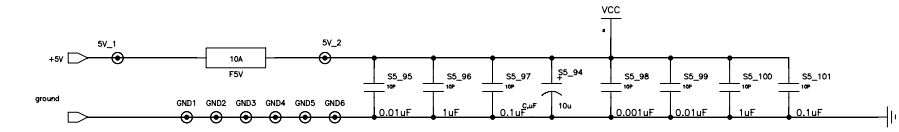
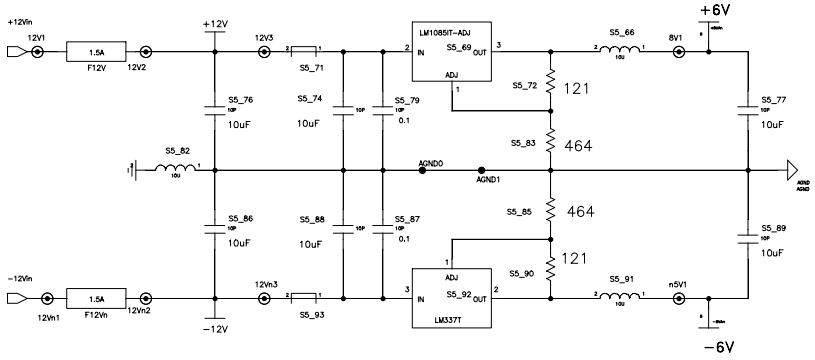
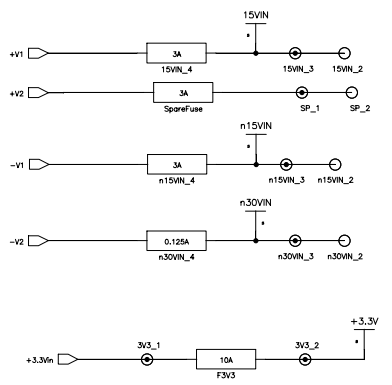


+V1, +V2, -V1, -V2 are User Defined VME Power Rails



Engineer: M. Bogdan	The University of Chicago		
Drawn by: M. Bogdan	Acquisition and Control Module		
DATE: 10/19/22	Power		
SPC#3019 ASM#3020	REV. A	DRW.	3018   Sheet 5