

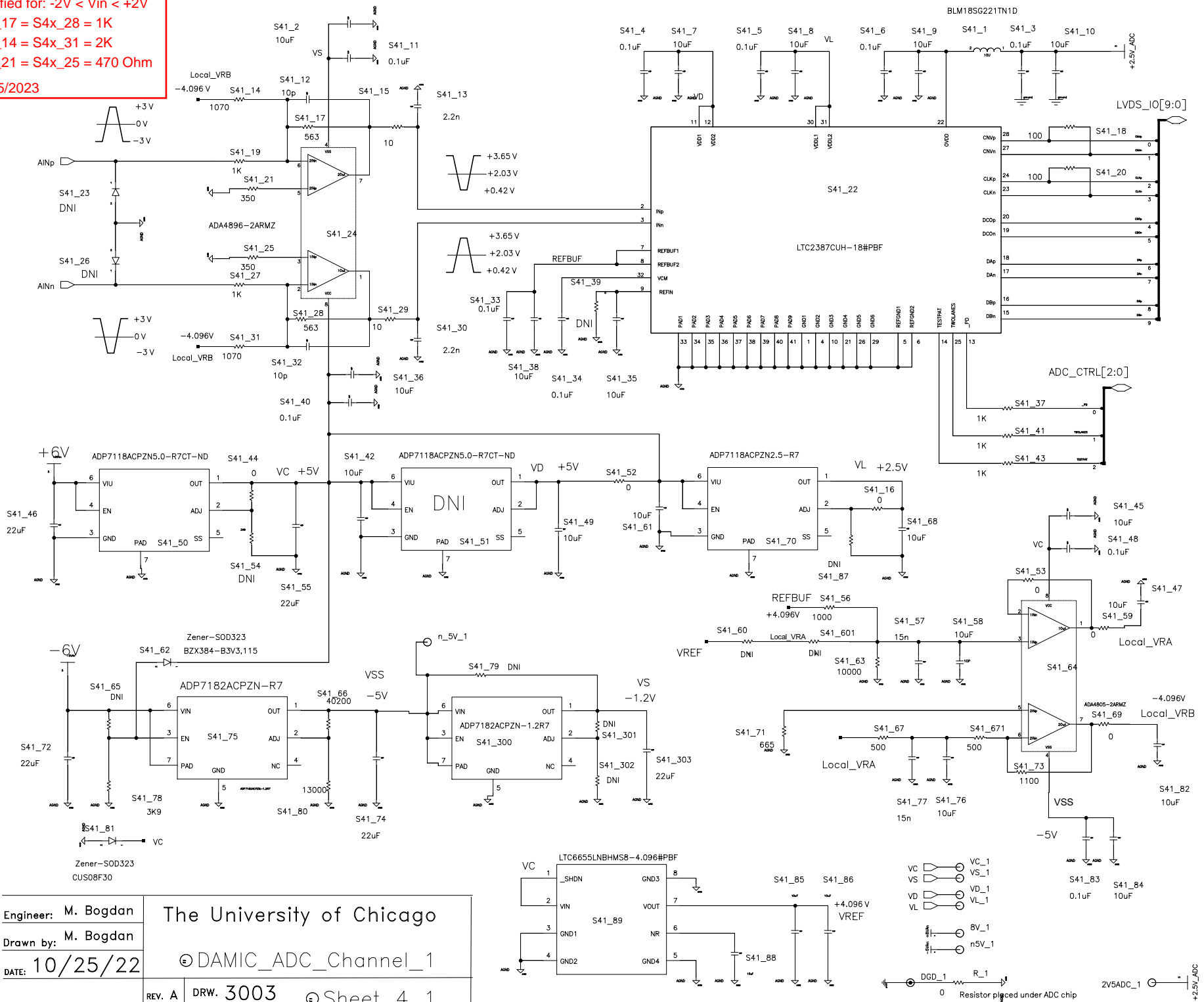
Modified for: $-2V < V_{in} < +2V$

$S4x_{17} = S4x_{28} = 1K$

$S4x_{14} = S4x_{31} = 2K$

$S4x_{21} = S4x_{25} = 470 \text{ Ohm}$

01/05/2023



Engineer: M. Bogdan

Drawn by: M. Bogdan

DATE: 10/25/22

The University of Chicago

© DAMIC_ADC_Channel_1

REV. A

DRW. 3003

© Sheet_4_1