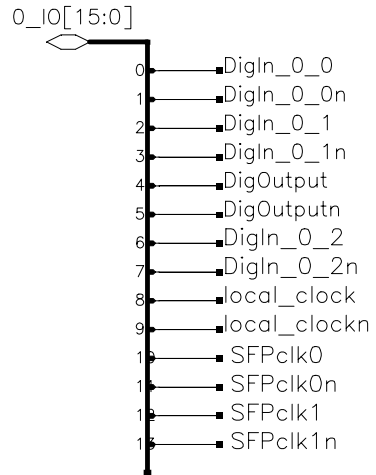
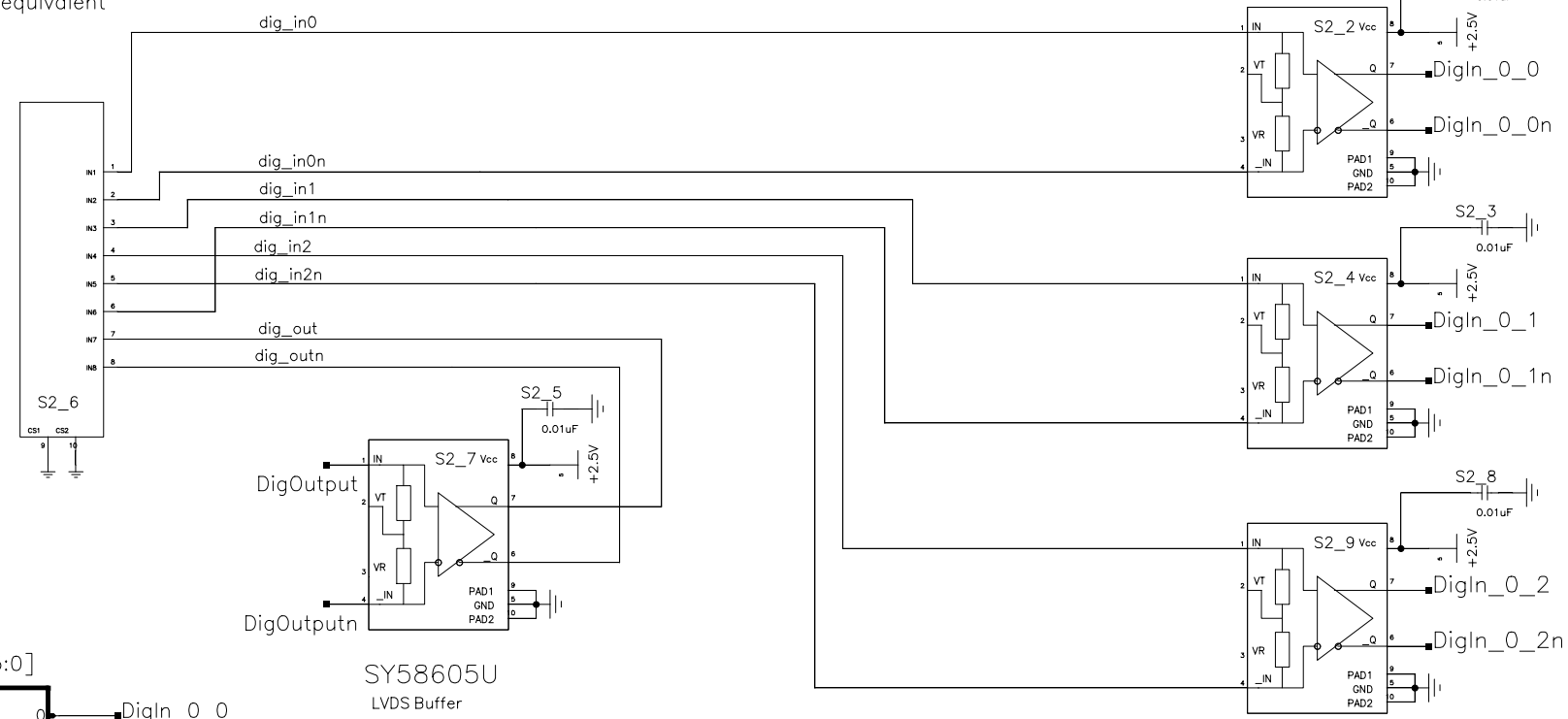
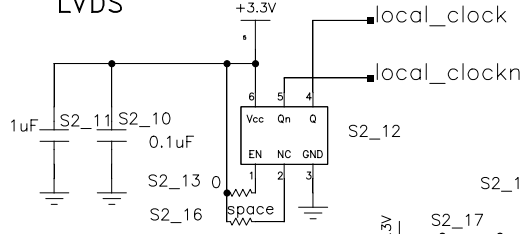


RJ45 Connector
AJT65B8813 or equivalent

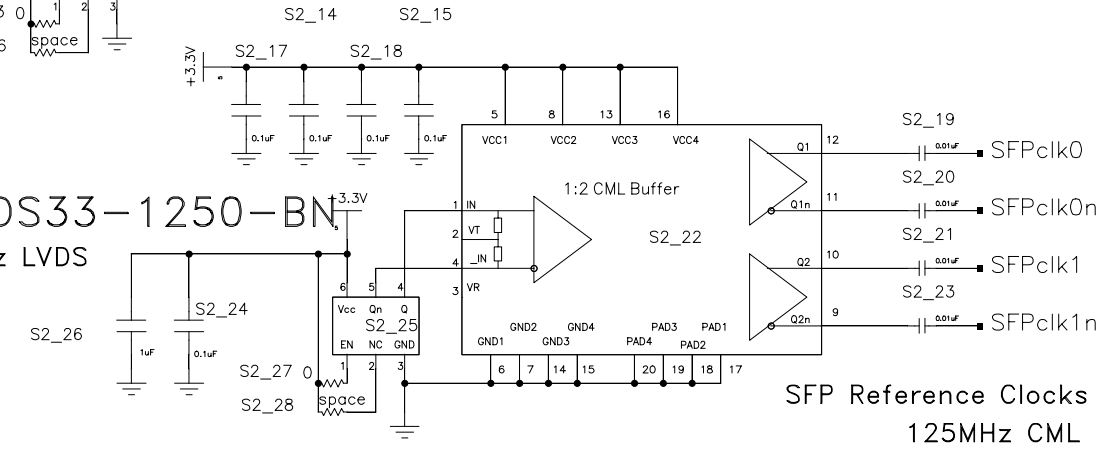


System Reference Clock
LVDS

Local Reference Clock
LVDS



ECS-LVDS33-1250-BN
125MHz LVDS



SFP Reference Clocks
125MHz CML

Engineer: M. Bogdan
Drawn by: M. Bogdan
DATE: 7/12/22
SPC#3019
ASM#3020

The University of Chicago
Acquisition and Control Module
DAMIC Digital Input and Clocks
REV. A | DRW. 3018 | Sheet 2