

A

A

B

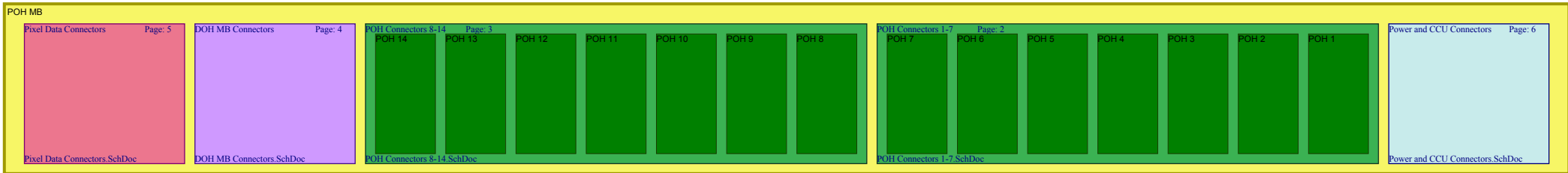
B

C

C

D

D

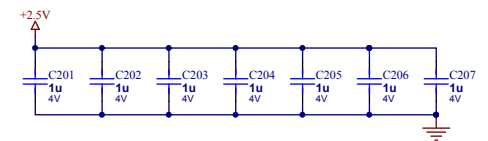
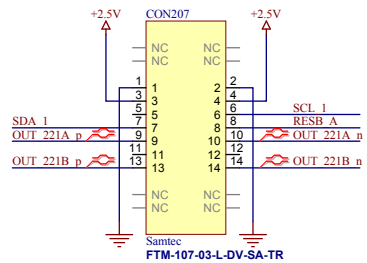
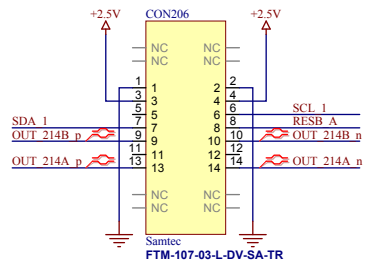
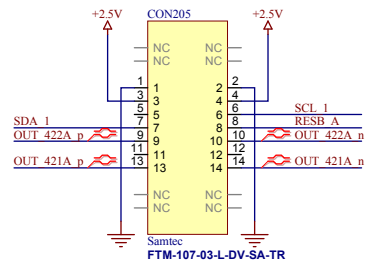
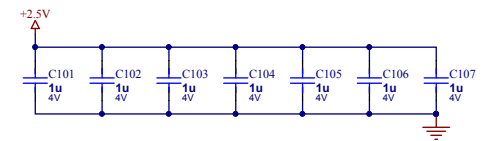
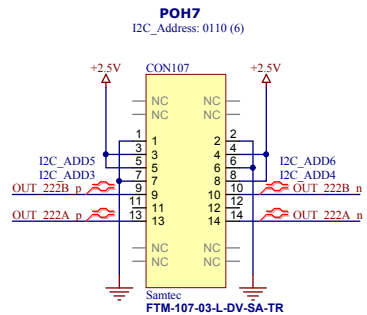
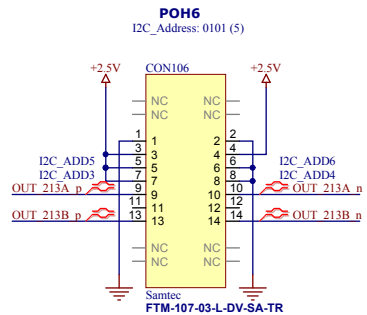
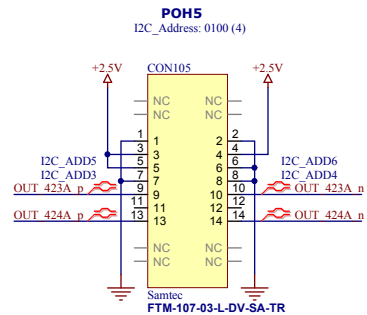
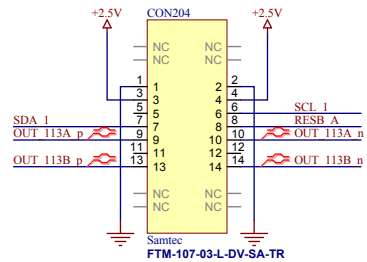
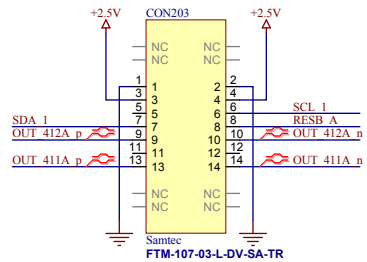
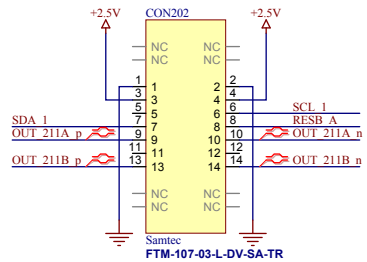
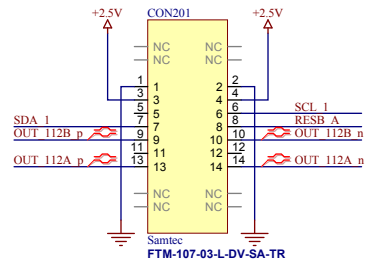
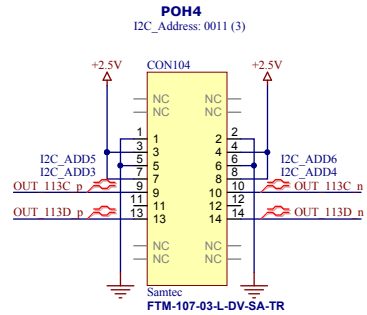
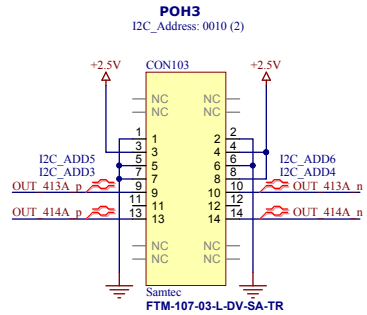
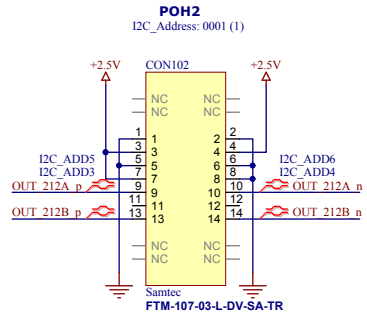
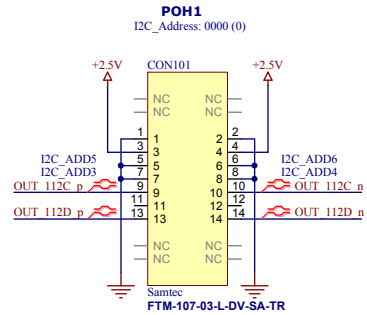


I2C Addresses:

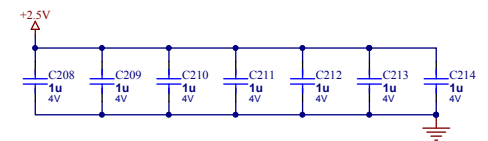
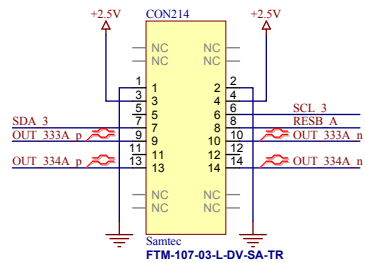
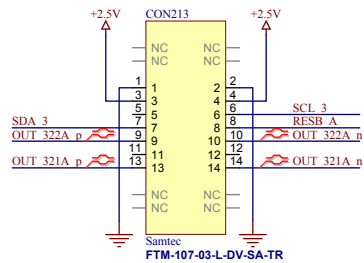
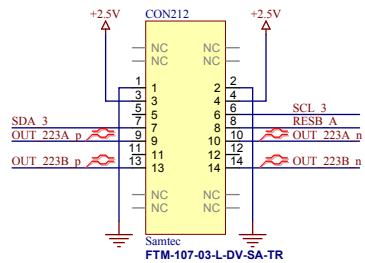
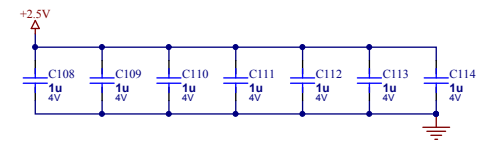
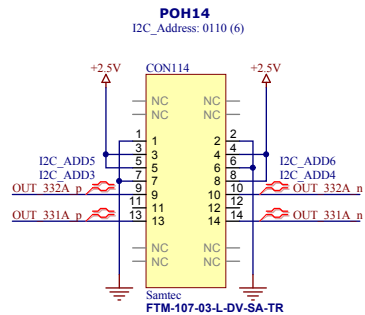
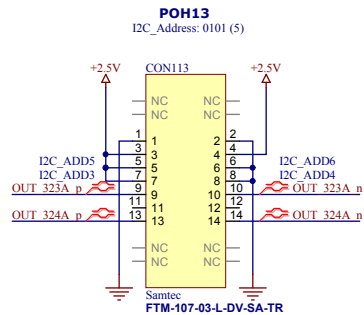
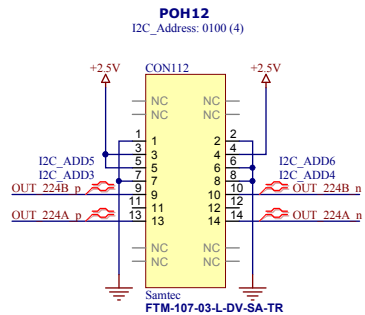
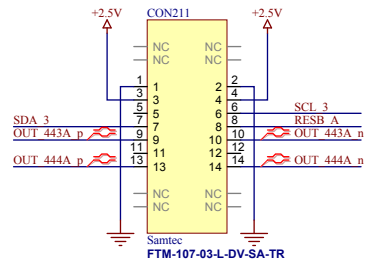
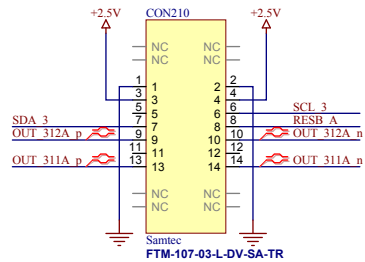
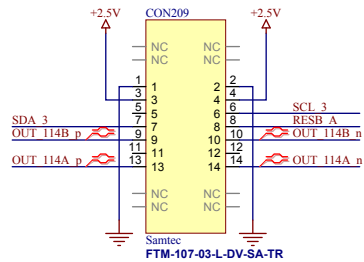
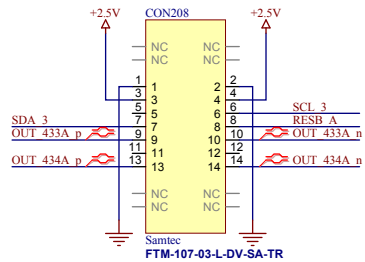
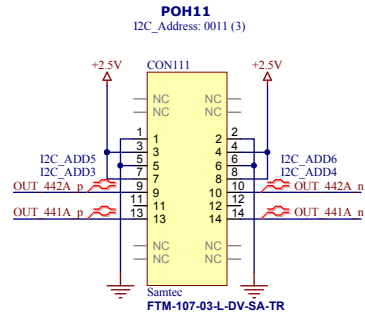
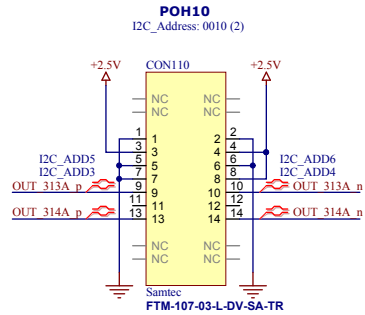
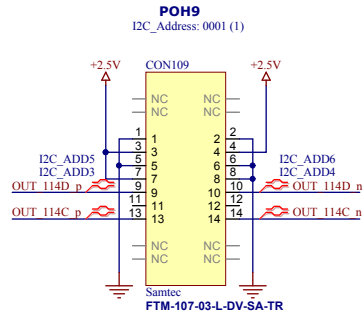
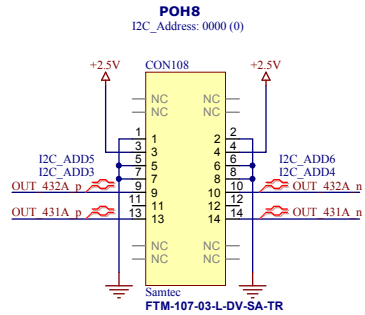
I2C_1	A6	A5	A4	A3	
POH 1	0	0	0	0	(0)
POH 2	0	0	0	1	(1)
POH 3	0	0	1	0	(2)
POH 4	0	0	1	1	(3)
POH 5	0	1	0	0	(4)
POH 6	0	1	0	1	(5)
POH 7	0	1	1	0	(6)

I2C_3	A6	A5	A4	A3	
AOH 8	0	0	0	0	(0)
AOH 9	0	0	0	1	(1)
POH 10	0	0	1	0	(2)
POH 11	0	0	1	1	(3)
POH 12	0	1	0	0	(4)
POH 13	0	1	0	1	(5)
POH 14	0	1	1	0	(6)

Wigner FK Budapest, Hungary www.wigner.hu	Title: POH MB v1.2.1.PrjPCB POH Motherboard Top		
	Size: A3	Scale: -	Document Number
Designer: T. Tolyhi	Modified: 2014.11.05. Printed: 2014.11.05.		Sheet 1 of 6
Approved:	File: POH MB v1.2.SchDoc		

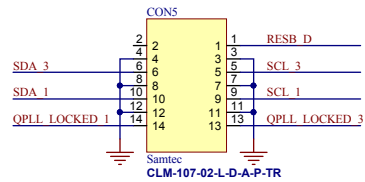


Wigner FK Budapest, Hungary www.wigner.hu	Title: POH MB v1.2.1.PrjPCB POH Connectors 1-7		
	Size: A3	Scale: -	Document Number:
Designer: T. Tolyhi	Modified: 2014.11.05.	Printed: 2014.11.05.	Sheet: 2 of 6
Approved:	File: POH Connectors 1-7.SchDoc		

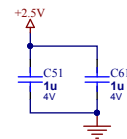
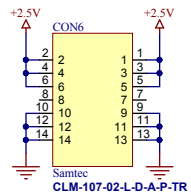


Wigner FK Budapest, Hungary www.wigner.hu	Title: POH MB v1.2.1.PrjPCB POH Connectors 8-14		
	Designer: T. Tolyhi Drawn by: Approved:	Size: A3 Modified: 2014.11.05. File: POH Connectors 8-14.SchDoc	Scale: - Printed: 2014.11.05. Sheet 3 of 6

DOH MB Control Connector

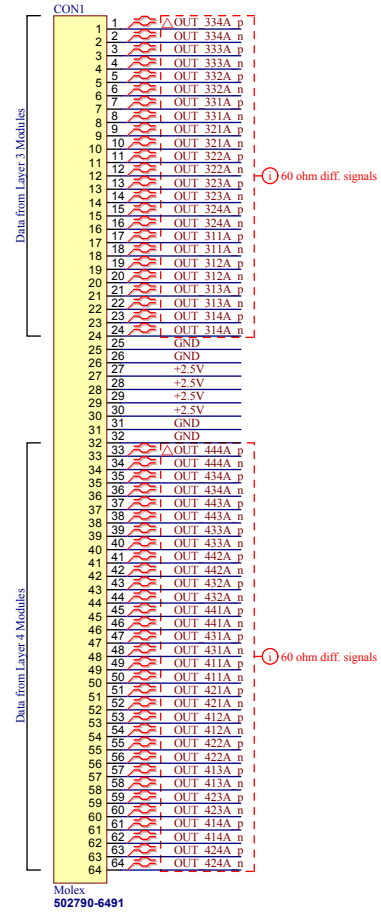


DOH MB Power Connector

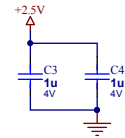
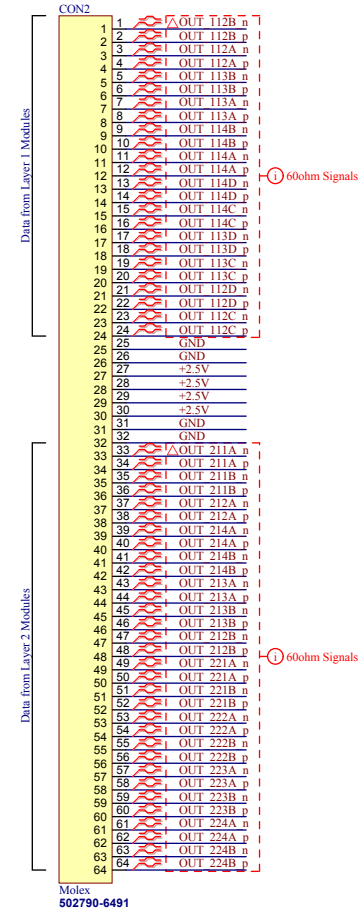


Wigner FK Budapest, Hungary www.wigner.hu		Title: POH MB v1.2.1.PrjPCB DOH MB Connectors		
Designer: T. Tolyhi	Size: A3	Scale: -	Document Number	Revision: 1.1
Drawn by:	Modified: 2014.11.05.	Printed: 2014.11.05.	Sheet 4 of 6	
Approved:	File: DOH MB Connectors.SchDoc			

AdapterBoard L3 & L4 Connector

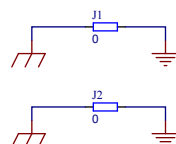


AdapterBoard L1 & L2 Connector



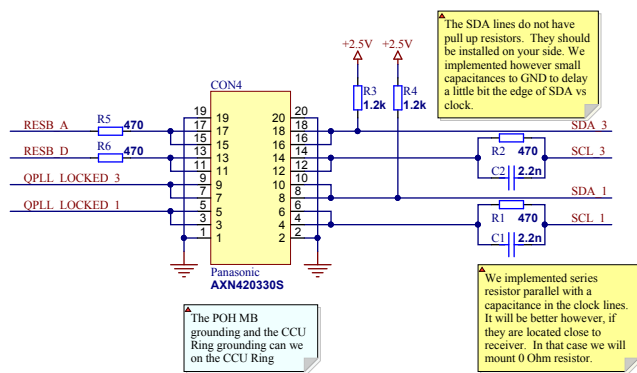
Wigner FK Budapest, Hungary www.wigner.hu		Title POH MB v1.2.1.PrjPCB Pixel Data Connectors	
Designer: T. Tolyhi	Size A3	Scale -	Document Number
Drawn by:	Modified: 2014.11.05.	Printed: 2014.11.05.	Revision 1.1
Approved:	File: Pixel Data Connectors.SchDoc	Sheet 5 of 6	

Earth-GND Jumpers



In my opinion you should put a series resistors close to the receiver in all reset lines coming from the CCU. The resistors reduce the current from CCU outputs to the auxiliary power (via protection diode at the input of the receiver) in case that the auxiliary power is off.

CCU Connector



The SDA lines do not have pull up resistors. They should be installed on your side. We implemented however small capacitances to GND to delay a little bit the edge of SDA vs clock.

The POH MB grounding and the CCU Ring grounding can we on the CCU Ring

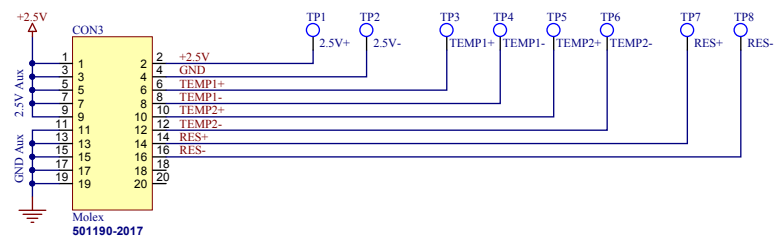
We implemented series resistor parallel with a capacitance in the clock lines. It will be better however, if they are located close to receiver. In that case we will mount 0 Ohm resistor.

Power and Slow Control Connector

Auxiliary Power Test Point



Auxiliary Power Sense Temperature Sensors Reserve Sensor



Wigner FK Budapest, Hungary www.wigner.hu		Title: POH MB v1.2.1.PrjPCB Power and CCU Connectors		
Designer: T. Tolyhi	Size: A3	Scale: -	Document Number	Revision: 1.1
Drawn by:	Modified: 2014.11.05.	Printed: 2014.11.05.	Sheet 6 of 6	
Approved:	File: Power and CCU Connectors.SchDoc			